

# GRADY MEMORIAL HOSPITAL OR CEILING, LIGHTS, AND BOOMS STANDARDS PACKAGE

11.10.2023



## PACKAGE 11

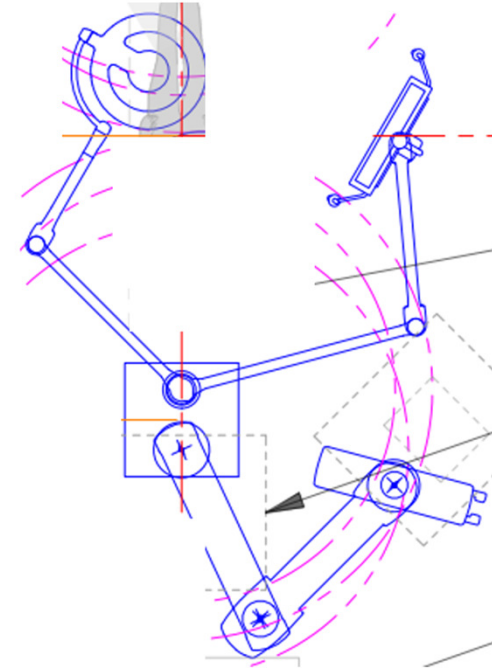
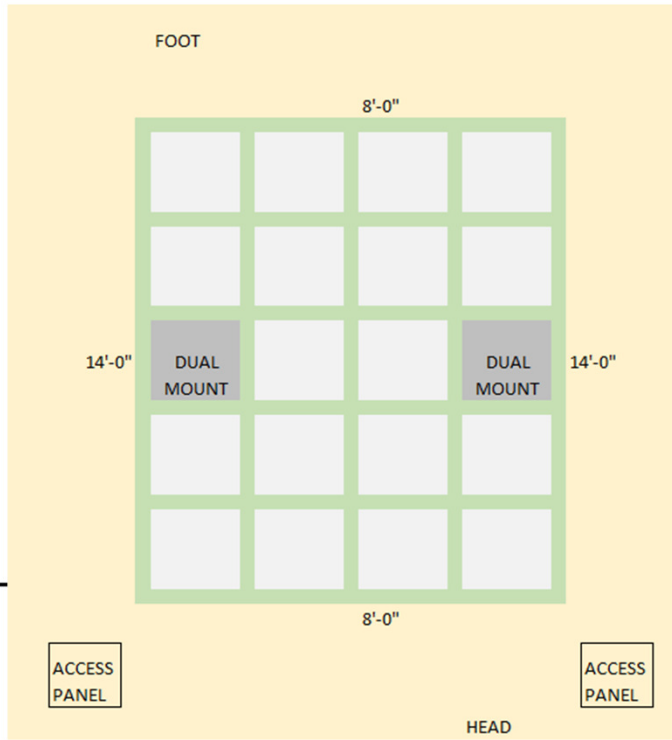
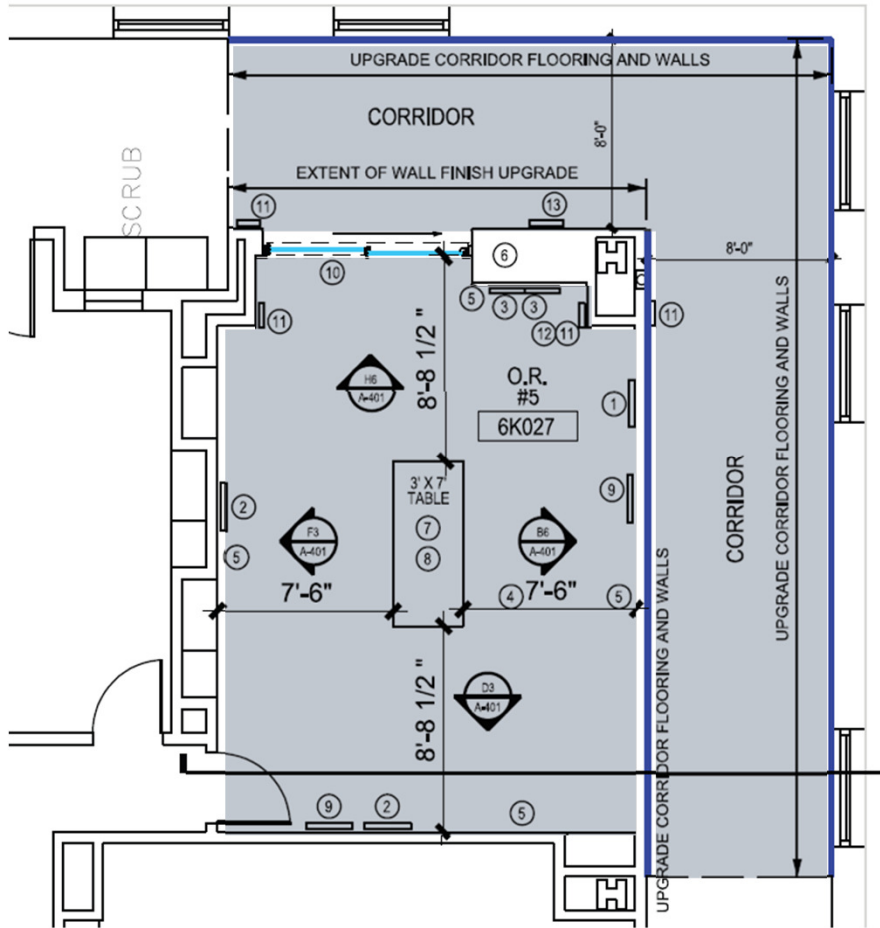
GMH Standards – Ceilings, Lights, and Booms



## OPERATING ROOM - CEILING

## GMH OR CEILING LIGHTS, AND BOOMS STANDARDS

GRADY intends to modernize and standardize the construction of all Operating Rooms. A critical component in this strategy is a manufactured ceiling system, as shown BELOW. GRADY intends to standardize on a single solution to be used on ALL renovations.



**OPERATING ROOM – CEILING SYSTEMS**

**GMH OR CEILING LIGHTS, AND BOOMS STANDARDS**

AREA	OCCUPANCY		CEILING SYSTEM	FLOOR	IMMEDIATE	2 YEAR	3 YEAR
I	MAIN OR'S	14'-0" X 8'-0"	CEILING W/ TWO DUAL MOUNTS	SIXTH	07	07	07
II	C SECTION OR'S	14'-0" X 8'-0"	CEILING W/ TWO DUAL MOUNTS	FOURTH	00	03	03
III	BURN OR'S	14'-0" X 8'-0"	CEILING W/ TWO DUAL MOUNTS	THIRD	02	00	00
IV	INTERVENTIONAL RAD	14'-0" X 8'-0"	CEILING W/ TWO DUAL MOUNTS	THIRD	01	00	00
V	CATH LAB	14'-0" X 8'-0"	CEILING W/ TWO DUAL MOUNTS	SECOND	00	01	02
VI	CORRELL OUTPATIENT	14'-0" X 8'-0"	CEILING W/ TWO DUAL MOUNTS	EIGHTH	00	02	02
	SUBTOTAL				10	13	14
	TOTAL					37	

## OPERATING ROOM – CLADDING SYSTEMS

## GMH OR CEILING LIGHTS, AND BOOMS STANDARDS

AREA	OCCUPANCY		CEILING SYSTEM	FLOOR	IMMEDIATE	2 YEAR	3 YEAR
I	MAIN OR'S	14'-0" X 8'-0"	FULL HEIGHT WALL CLADDING SYSTEM 9'-3" BOTTOM 3' STAINLESS TOP PAINTED WHITE	SIXTH	6 rooms 600 linear ft	7 rooms 700 linear ft	7 rooms 700 linear ft
II	C SECTION OR'S	14'-0" X 8'-0"	FULL HEIGHT WALL CLADDING SYSTEM 9'-3" BOTTOM 3' STAINLESS TOP PAINTED WHITE	FOURTH	00	3 rooms 255 linear ft	3 rooms 255 linear ft
III	BURN OR'S	14'-0" X 8'-0"	FULL HEIGHT WALL CLADDING SYSTEM 9'-3" BOTTOM 3' STAINLESS TOP PAINTED WHITE	THIRD	00	00	00
IV	INTERVENTIONAL RAD	14'-0" X 8'-0"	FULL HEIGHT WALL CLADDING SYSTEM 9'-3" BOTTOM 3' STAINLESS TOP PAINTED WHITE	THIRD	00	00	00
V	CATH LAB	14'-0" X 8'-0"	FULL HEIGHT WALL CLADDING SYSTEM 9'-3" BOTTOM 3' STAINLESS TOP PAINTED WHITE	SECOND	00	1 room 90 linear ft	2 rooms 185 linear ft
VI	CORRELL OUTPATIENT	14'-0" X 8'-0"	FULL HEIGHT WALL CLADDING SYSTEM 9'-3" BOTTOM 3' STAINLESS TOP PAINTED WHITE	EIGHTH	00	2 rooms 195 linear ft	2 rooms 195 linear ft
	SUBTOTAL				06	13	14
	TOTAL				33 rooms – 3,175 linear feet		

**OPERATING ROOM – LIGHTING SYSTEMS**

**GMH OR CEILING LIGHTS, AND BOOMS STANDARDS**

AREA	OCCUPANCY	LIGHTING SYSTEM	FLOOR	IMMEDIATE	2 YEAR	3 YEAR
I	MAIN OR'S	DUAL HEAD SURGICAL LIGHT	SIXTH	07	07	07
II	C SECTION OR'S	DUAL HEAD SURGICAL LIGHT	FOURTH	00	03	03
III	BURN OR'S	DUAL HEAD SURGICAL LIGHT	THIRD	02	00	00
IV	INTERVENTIONAL RAD	DUAL HEAD SURGICAL LIGHT	THIRD	01	00	00
V	CATH LAB	DUAL HEAD SURGICAL LIGHT	SECOND	00	01	02
VI	CORRELL OUTPATIENT	DUAL HEAD SURGICAL LIGHT	EIGHTH	00	02	02
	SUBTOTAL			10	13	14
	TOTAL				37	

**OPERATING ROOM – BOOM SYSTEMS**

**GMH OR CEILING LIGHTS, AND BOOMS STANDARDS**

AREA	OCCUPANCY	LIGHTING SYSTEM	FLOOR	IMMEDIATE	2 YEAR	3 YEAR
I	MAIN OR'S	POWER AND MED GAS BOOM * <i>SEE NOTE BELOW</i>	SIXTH	07	07	07
II	C SECTION OR'S	POWER AND MED GAS BOOM * <i>SEE NOTE BELOW</i>	FOURTH	00	03	03
III	BURN OR'S	POWER AND MED GAS BOOM * <i>SEE NOTE BELOW</i>	THIRD	02	00	00
IV	INTERVENTIONAL RAD	POWER AND MED GAS BOOM * <i>SEE NOTE BELOW</i>	THIRD	01	00	00
V	CATH LAB	POWER AND MED GAS BOOM * <i>SEE NOTE BELOW</i>	SECOND	00	01	02
VI	CORRELL OUTPATIENT	POWER AND MED GAS BOOM * <i>SEE NOTE BELOW</i>	EIGHTH	00	02	02
	SUBTOTAL			10	13	14
	TOTAL				37	

**POWER AND MED GAS BOOM REQUIREMENTS**

- 2 OXYGEN
- 2 VAC
- 2 AIR
- 2 N2O
- 8 (E) DUPLEX
- 2 (N) DUPLEX