

NOTE: ADD 1 LAYER OF 5/8" GYP. BD. 8' HIGH X 5'3" WIDE OVER EXISTG STUDS TO WALL AS SHOWN-PAINTED

1 REFERENCE PLAN  
NOT TO SCALE

NO.	REVISIONS	DATE

**Grady**

**Newcomb & Boyd**

Suite 525  
303 Peachtree Center Avenue, NE  
Atlanta, Georgia 30303-1277  
T 404.730-8400  
F 404.730-8401  
CONTACT: David Chandler  
N&B PROJECT: 12N230

GRADY MEMORIAL HOSPITAL  
SWITCHGEAR REPLACEMENT PROJECT

REFERENCE PLAN

THIS DRAWING WAS PREPARED SITE SPECIFIC FOR THE ABOVE-NAMED PROJECT AND IS NOT, WITHOUT THE EXPRESS WRITTEN CONSENT OF NEWCOMB & BOYD, INTENDED FOR USE ON ADDITIONS TO THIS PROJECT, FOR COMPLETION OF THIS PROJECT BY OTHERS, OR FOR USE ON OTHER PROJECTS.

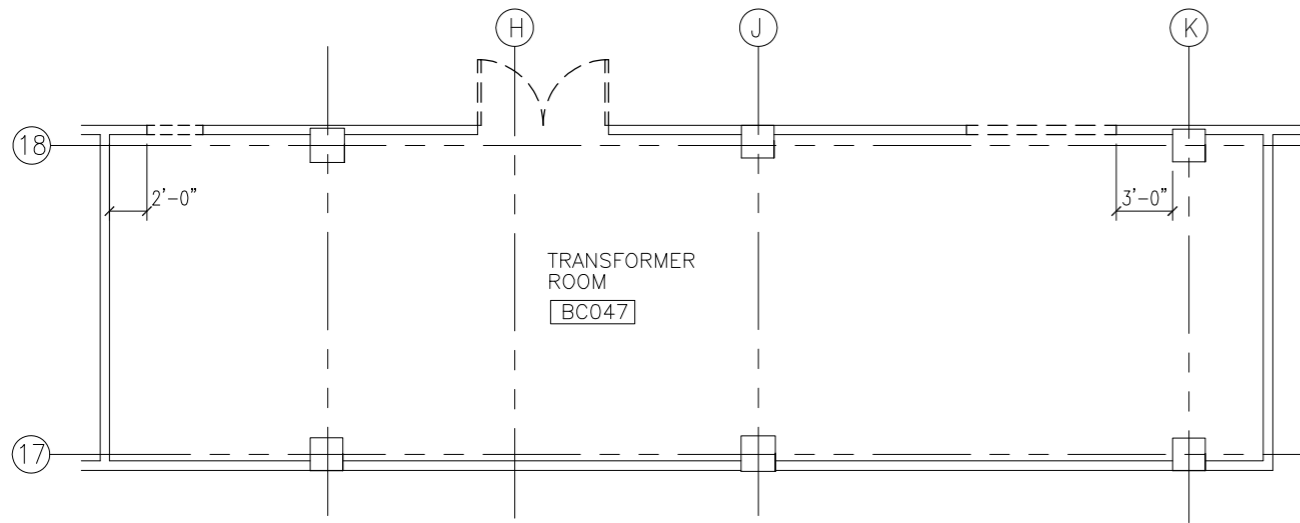
SEAL

PROJECT NO. 12N230  
DATE 7-29-2014  
SCALE NOT TO SCALE  
DRAWING NO.

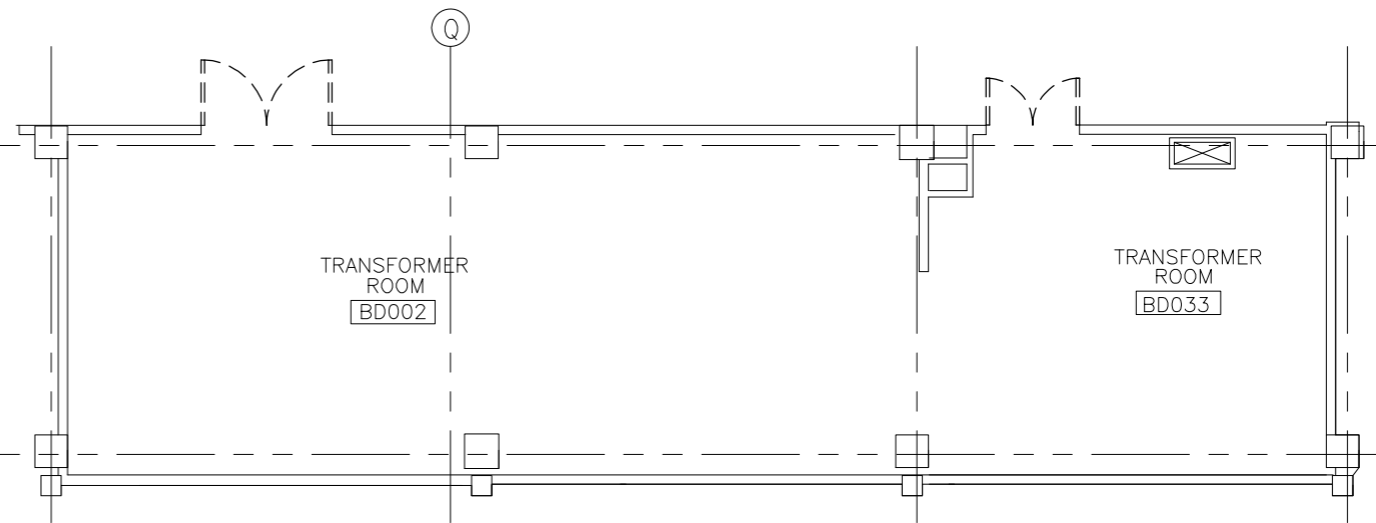
**tbb**  
DESIGN & DEVELOPMENT

216 HIGHLAND SQUARE DR.  
ATLANTA, GA  
T 404.807.1981  
C 678.898.5542  
CONTACT: DEBRAH MOTON

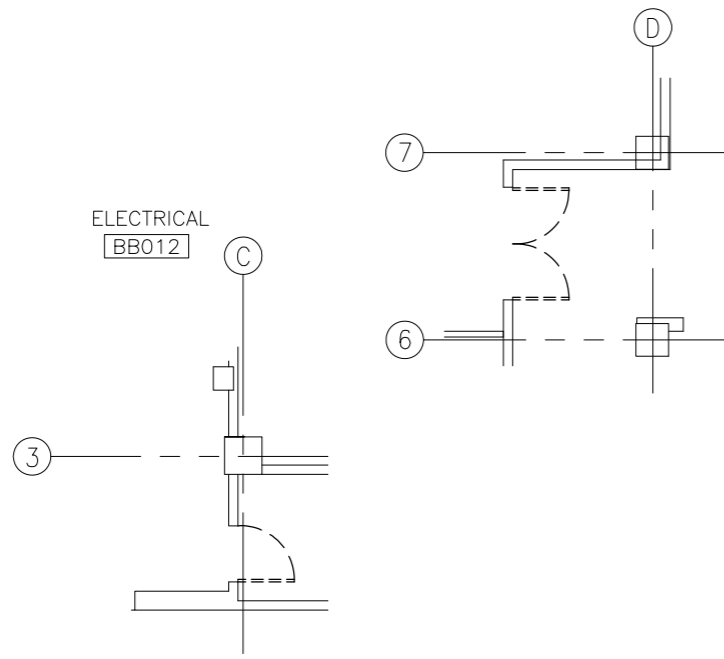
A0.1



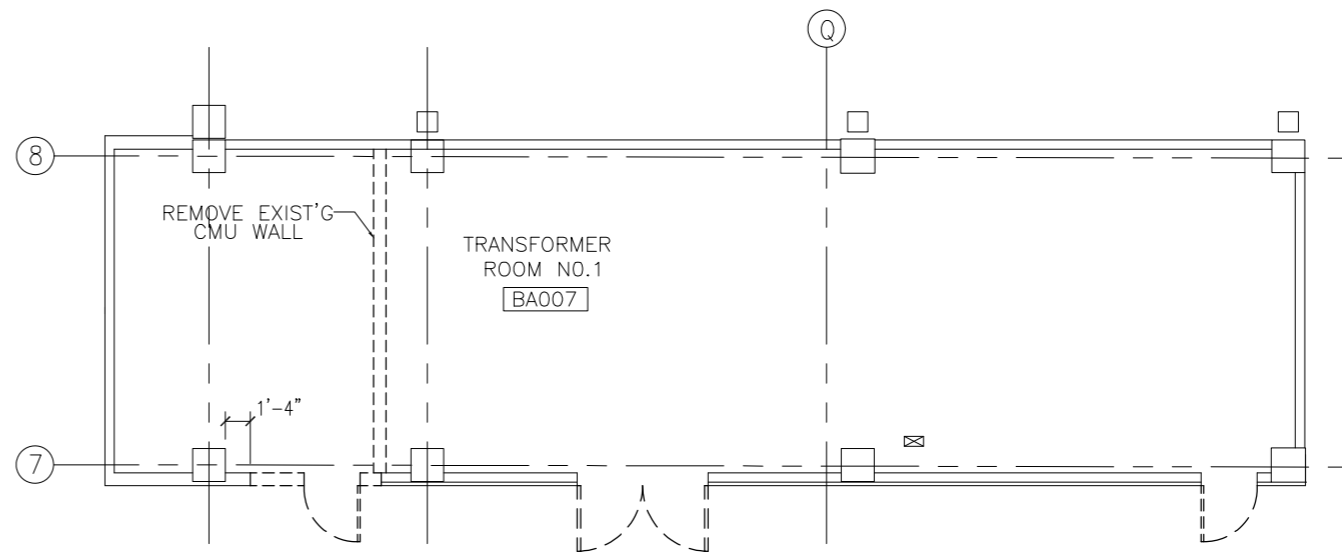
2 DEMOLITION PLAN-BC047  
1/4"=1'-0"



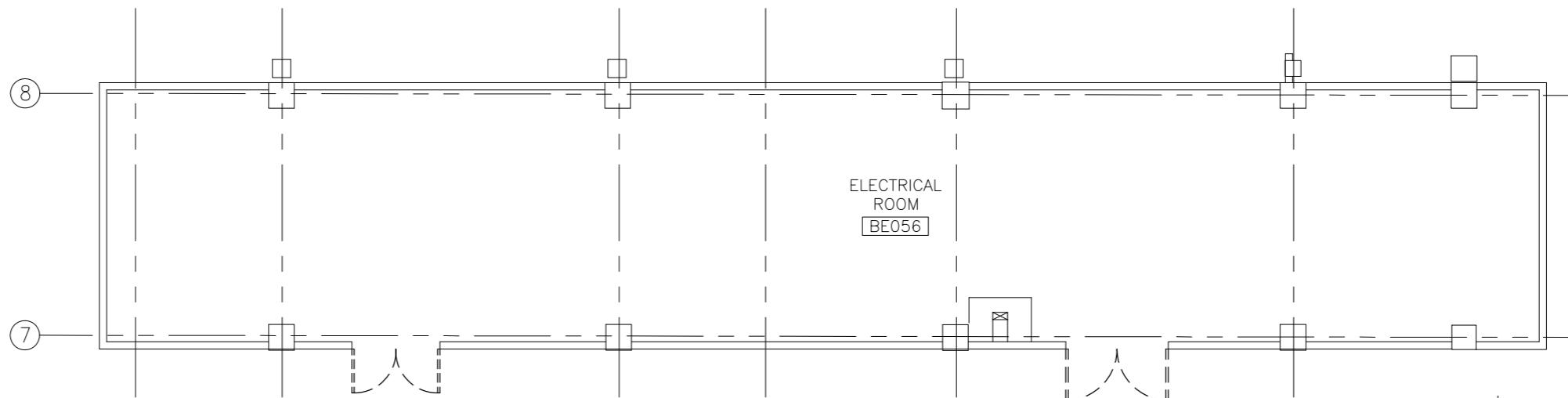
1 DEMOLITION PLAN-BD002 & BD033  
1/4"=1'-0"



4 DEMOLITION PLAN-BB012  
1/4"=1'-0"



3 DEMOLITION PLAN-BA007  
1/4"=1'-0"



5 DEMOLITION PLAN-BE056  
1/4"=1'-0"

**DEMOLITION LEGEND & NOTES**

DOOR/DOORS TO BE REMOVED

WALL TO BE REMOVED

1. REFER TO PROJECT MANUAL FOR FULL DEMOLITION SPECIFICATIONS.  
2. REFER TO NEW WORK PLANS TO DETERMINE EXTENT OF DEMOLITION EXTENTS AND DIMENSIONS.

NO.	REVISIONS	DATE



**Newcomb & Boyd**  
 Suite 525  
 303 Peachtree Center Avenue, NE  
 Atlanta, Georgia 30303-1277  
 T 404.730-8401  
 F 404.730-8401  
 CONTACT: David Chandler  
 N&E PROJECT: 12N230

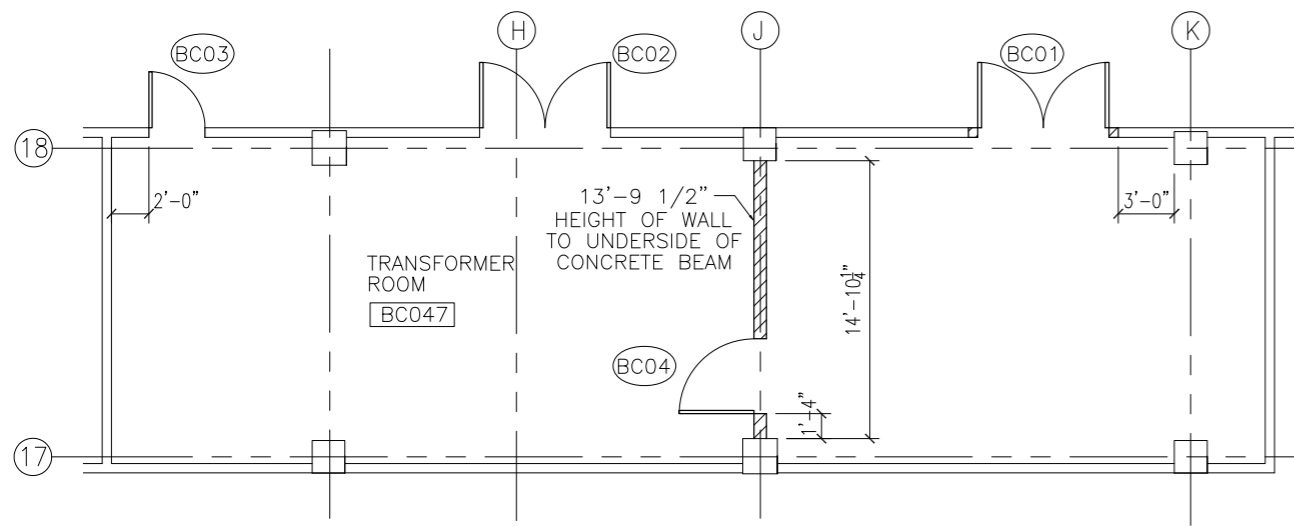
GRADY MEMORIAL HOSPITAL  
 SWITCHGEAR REPLACEMENT PROJECT  
 THE EXISTING/DEMOLITION PLANS

THIS DRAWING WAS PREPARED SITE SPECIFIC FOR THE ABOVE-NAMED PROJECT AND IS NOT, WITHOUT THE EXPRESS WRITTEN CONSENT OF NEWCOMB & BOYD, INTENDED FOR USE ON ADDITIONS TO THIS PROJECT, FOR COMPLETION OF THIS PROJECT BY OTHERS, OR FOR USE ON OTHER PROJECTS.

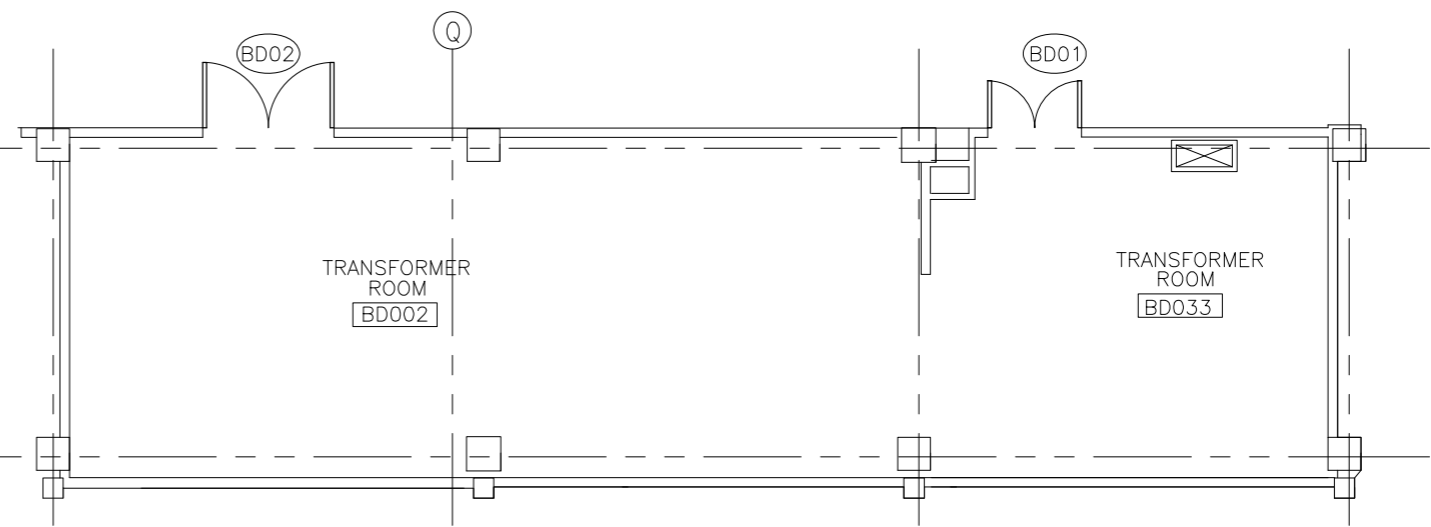
PROJECT NO. 12N230  
 DATE 7-29-2014  
 SCALE 1/4"=1'-0"  
 DRAWING NO.



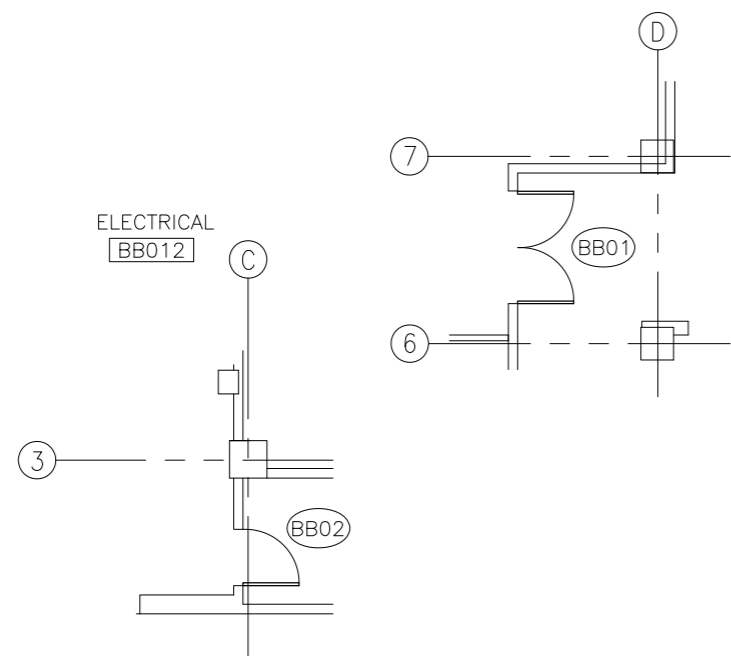
A0.2



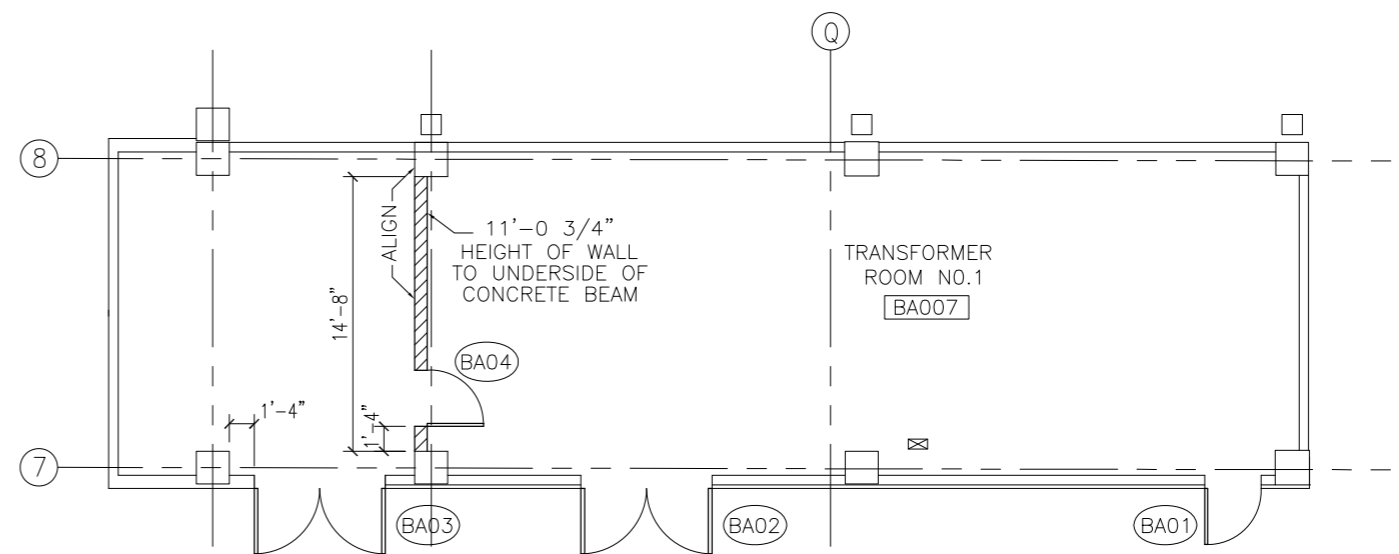
2 NEW WORK PLAN-BC047  
1/4"=1'-0"



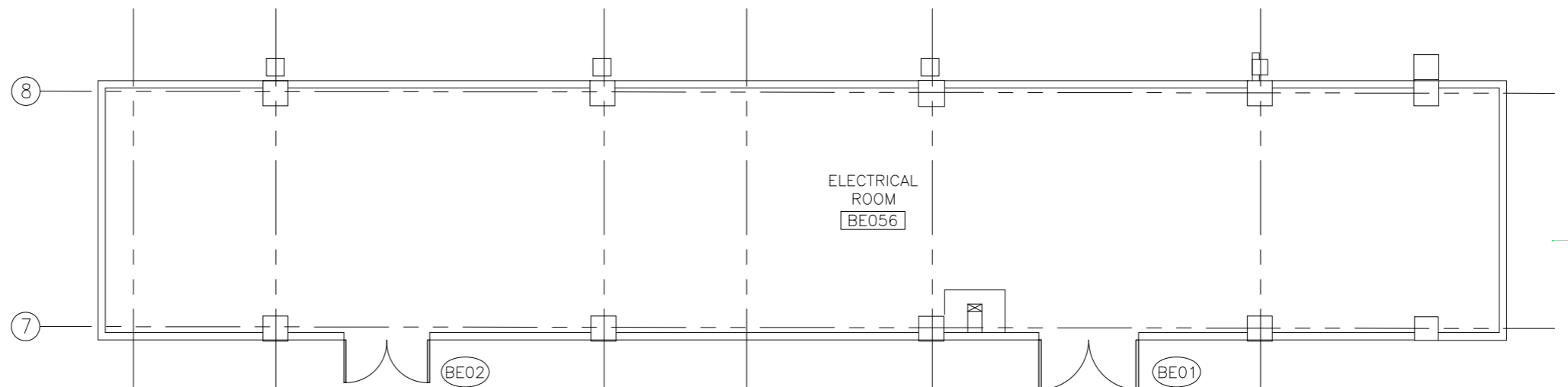
1 NEW WORK PLAN-BD002 & BD033  
1/4"=1'-0"



4 NEW WORK PLAN-BB012  
1/4"=1'-0"



3 NEW WORK-BA007  
1/4"=1'-0"



5 NEW WORK PLAN-BE056  
1/4"=1'-0"

**NEW WORK LEGEND & NOTES**

NEW DOOR/DOORS TO BE INSTALLED

NEW 1 HR. RATED 8" CMU WALL-FULL HEIGHT TO STRUCT. ABOVE-SEE ARCHITECTURAL & STRUCTURAL DETAILS.

1. REFER TO PROJECT MANUAL FOR FULL SPECIFICATIONS.

NO.	REVISIONS	DATE



**Newcomb & Boyd**

Suite 525  
303 Peachtree Center Avenue, NE  
Atlanta, Georgia 30303-1277  
T 404.730-8401  
F 404.730-8401  
CONTACT: David Chandler  
N&E PROJECT: 12N230

GRADY MEMORIAL HOSPITAL  
SWITCHGEAR REPLACEMENT PROJECT

NEW WORK PLANS

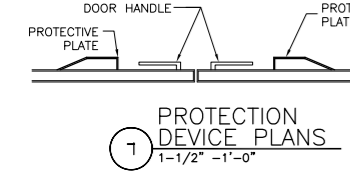
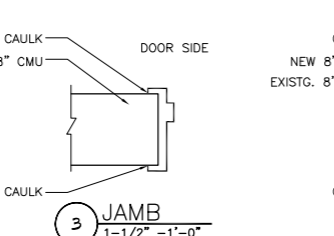
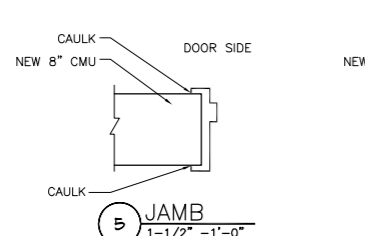
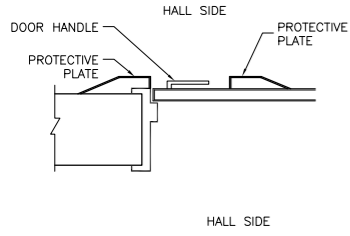
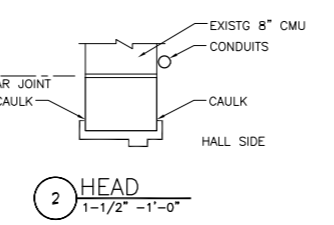
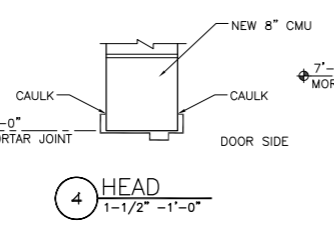
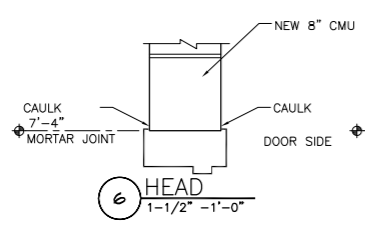
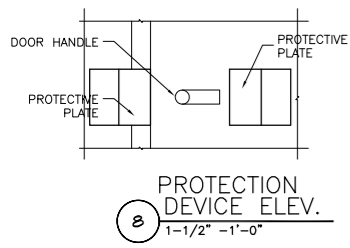
THIS DRAWING WAS PREPARED SITE SPECIFIC FOR THE ABOVE-NAMED PROJECT AND IS NOT, WITHOUT THE EXPRESS WRITTEN CONSENT OF NEWCOMB & BOYD, INTENDED FOR USE ON ADDITIONS TO THIS PROJECT, FOR COMPLETION OF THIS PROJECT BY OTHERS, OR FOR USE ON OTHER PROJECTS.

SEAL

PROJECT NO. 12N230  
DATE 7-29-2014  
SCALE 1/4"=1'-0"  
DRAWING NO.

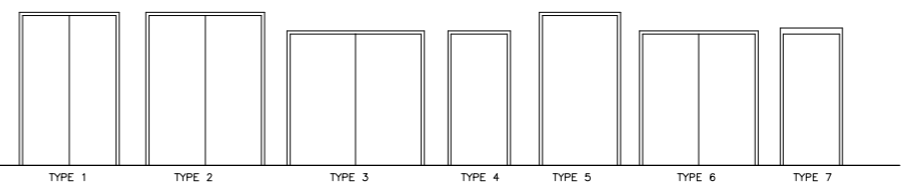
A1.1





MARK	DOOR							FRAME				COMMENTS	
	SIZE	THK	NEW/EXISTG.	TYPE	LABEL	MATERIAL	FINISH	NEW/EXISTG.	MATERIAL	FINISH	JAMB		HEAD
BD01	(2) 2'-6" X 8'-0"	1 3/4"	NEW	1	B-45	HOLLOW METAL	PAINT	EXISTING	HOLLOW METAL	PAINT			SAND, PRIME & PAINT FRAME
BD02	(2) 3'-6" X 8'-0"	1 3/4"	NEW	2	B-45	HOLLOW METAL	PAINT	EXISTING	HOLLOW METAL	PAINT			SAND, PRIME & PAINT FRAME
BC01	(2) 3'-6" X 7'-0"	1 3/4"	NEW	3	B-45	HOLLOW METAL	PAINT	NEW	HOLLOW METAL	PAINT	1/A1.2	2/A1.2	SAND, PRIME & PAINT FRAME
BC02	(2) 3'-6" X 8'-0"	1 3/4"	NEW	2	B-45	HOLLOW METAL	PAINT	EXISTING	HOLLOW METAL	PAINT			SAND, PRIME & PAINT FRAME
BC03	(1) 3'-0" X 7'-0"	1 3/4"	NEW	4	B-45	HOLLOW METAL	PAINT	NEW	HOLLOW METAL	PAINT	1/A1.2	2/A1.2	SAND, PRIME & PAINT FRAME
BC04	(1) 4'-0" X 8'-0"	1 3/4"	NEW	5	B-45	HOLLOW METAL	PAINT	NEW	HOLLOW METAL	PAINT	3/A1.2	4/A1.2	SAND, PRIME & PAINT FRAME
BA01	(1) 3'-0" X 7'-0"	1 3/4"	NEW	4	B-45	HOLLOW METAL	PAINT	EXISTING	HOLLOW METAL	PAINT			SAND, PRIME & PAINT FRAME
BA02	(2) 3'-6" X 8'-0"	1 3/4"	NEW	2	B-45	HOLLOW METAL	PAINT	EXISTING	HOLLOW METAL	PAINT			SAND, PRIME & PAINT FRAME
BA03	(2) 3'-6" X 7'-0"	1 3/4"	NEW	3	B-45	HOLLOW METAL	PAINT	NEW	HOLLOW METAL	PAINT	1/A1.2	2/A1.2	SAND, PRIME & PAINT FRAME
BA04	(1) 3'-0" X 7'-0"	1 3/4"	NEW	7	B-45	HOLLOW METAL	PAINT	NEW	HOLLOW METAL	PAINT	5/A1.2	6/A1.2	SAND, PRIME & PAINT FRAME
BB01	(2) 3'-0" X 7'-0"	1 3/4"	NEW	6	B-45	HOLLOW METAL	PAINT	EXISTING	HOLLOW METAL	PAINT			SAND, PRIME & PAINT FRAME
BB02	(1) 3'-0" X 7'-0"	1 3/4"	NEW	4	B-45	HOLLOW METAL	PAINT	EXISTING	HOLLOW METAL	PAINT			SAND, PRIME & PAINT FRAME
BE01	(2) 3'-6" X 7'-0"	1 3/4"	NEW	3	B-45	HOLLOW METAL	PAINT	EXISTING	HOLLOW METAL	PAINT			SAND, PRIME & PAINT FRAME
BE02	(2) 3'-0" X 7'-0"	1 3/4"	NEW	6	B-45	HOLLOW METAL	PAINT	EXISTING	HOLLOW METAL	PAINT			SAND, PRIME & PAINT FRAME

NOTE: REFER TO PROJECT MANUAL FOR DOOR, FRAME AND HARDWARE SPECIFICATIONS.



DOOR & FRAME TYPES

NO.	REVISIONS	DATE



**Newcomb & Boyd**

Suite 525  
303 Peachtree Center Avenue, NE  
Atlanta, Georgia 30303-1277  
Phone: 404.730.8400  
F: 404.730-8401  
CONTACT: David Chandler  
N&B PROJECT: 12N230

GRADY MEMORIAL HOSPITAL  
SWITCHGEAR REPLACEMENT PROJECT

DOOR & FRAME SCHEDULE  
HEAD AND JAMB DETAILS

THIS DRAWING WAS PREPARED  
SITE SPECIFIC FOR THE ABOVE-  
NAMED PROJECT AND IS NOT,  
WITHOUT THE EXPRESS WRITTEN  
CONSENT OF NEWCOMB & BOYD,  
INTENDED FOR USE ON ADDITIONS  
TO THIS PROJECT, FOR COMPLETION  
OF THIS PROJECT BY OTHERS,  
OR FOR USE ON OTHER PROJECTS.

PROJECT NO.	12N230
DATE	7-29-2014
SCALE	DTLS=1-1/2"=1'-0"
DRAWING NO.	A1.2



216 HIGHLAND SQUARE DR.  
ATLANTA, GA  
T: 404.807.1981  
C: 678.898.5542  
CONTACT: DEBRAH MOTON